

VAC BAS C MT

VALUE Tap Range Club Mono Basin Mixer With Pop Up Waste with Metal Heads Chrome



Specification

Product Type:	Bathrooms Taps
Main Construction Material:	Brass
Mount Type:	Deck Mounted
Handle Type:	Club Handles
Connection Inlet:	M10x400mm x 1/2BSP Flexi Tails
Connection Outlet:	M24 Flow Straightener
Number of Tap Holes:	1
Valve/Cartridge Type:	1/2" Standard Valve
Plumbing System Requirements:	Suitable for all plumbing systems
Minimum Dynamic Pressure:	0.2 Bar
Maximum Dynamic Pressure:	5.0 Bar
Maximum Hot Water Temperature: °C	65
Maximum Static Pressure: (bar)	10
Flow Type:	Single Flow
Isolation Included:	No

Features:

- Metal fixing nut for added durability
- Metal handles
- Pop-up waste included

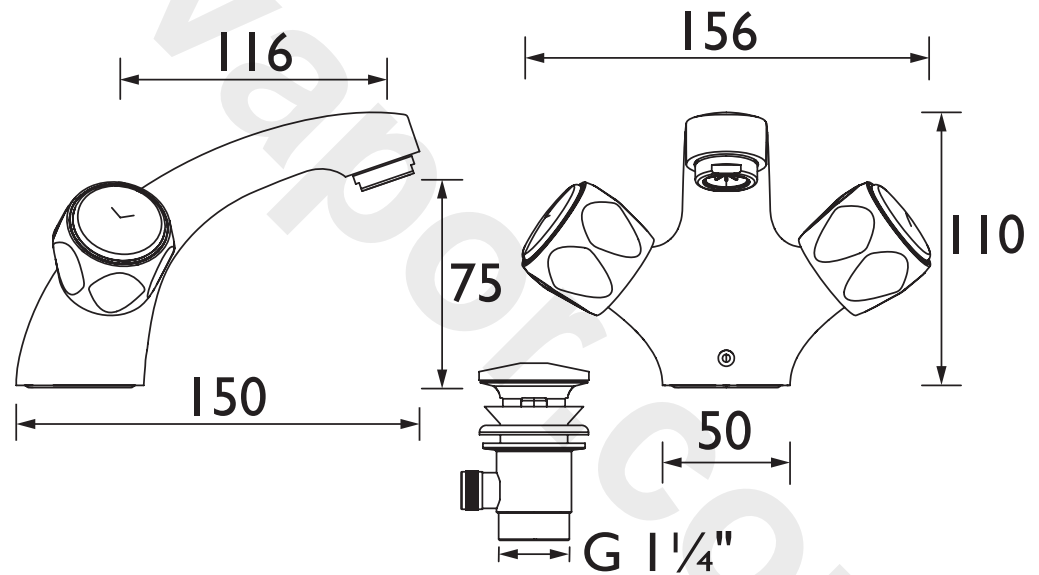
Product Certifications:



WRAS Cert. Number: 1906903
WRAS Expiry Date: 30/06/2024



Dimensions (measurements in mm)



Flow Rates (l/min)

System Pressure (bar)	0.2	0.5	1	2	3	5
VAC BAS C MT	6.8	11.5	17	22.2	28	34.5

For more products, visit our website:
<http://www.bristan.com>



TECHNICAL
DATA
SHEET



BRISTAN

D8